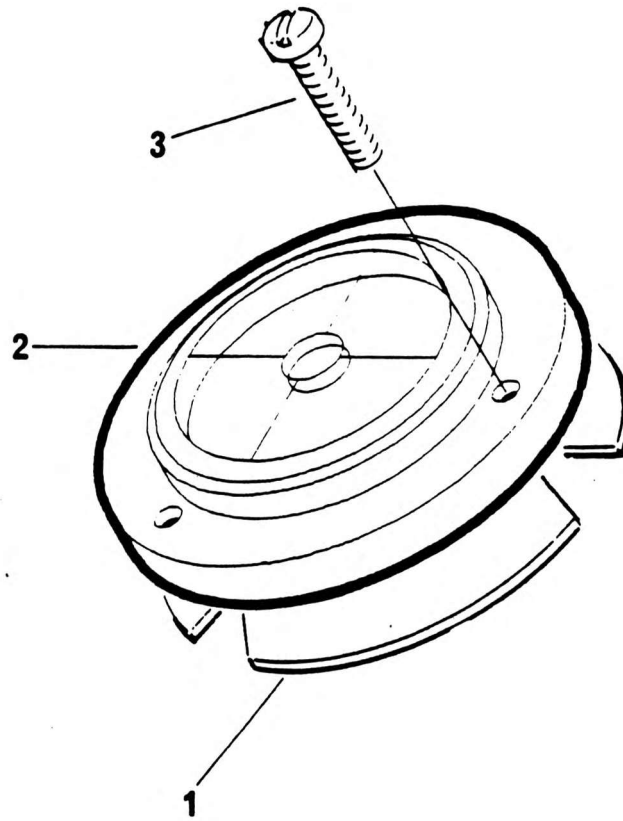


LEVEL INDICATOR ASSY



NO.	PART NO.	QTY.	DESCRIPTION	NO.	PART NO.	QTY.	DESCRIPTION
-----	----------	------	-------------	-----	----------	------	-------------

1	7-834-000190	1	Spring
2	7-486-001651	1	Level
3	7-111-040410	3	Screw